

The Future is JUWO Evolved SmartWall™

Timber Joist Flooring
Hangers System



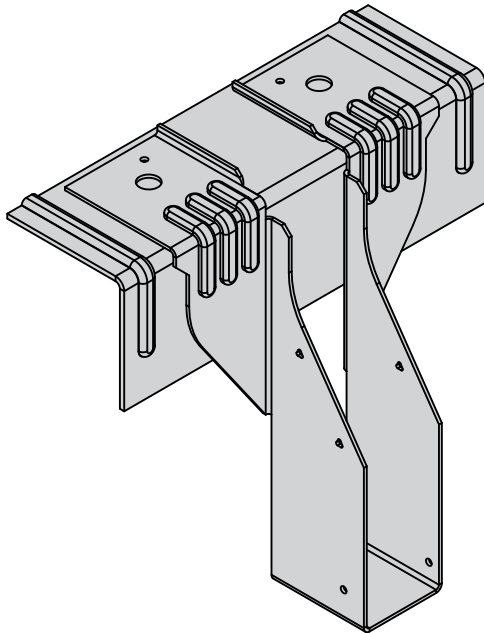
**EVOLVED
SMARTWALL™**

**The JUWO Evolved SmartWall™
Thermoplan Clayblock System**

Monolithic Clay Block Building System

RB-JHI JUWO SmartWall Joist Flooring Hangers System

Rapid Build Masonry Joist Hanger



The RB-JHI hanger is a timber to JUWO SmartWall masonry hanger designed for use with any I-Joists, open web & solid timber joists/trusses. The RB-JHI combines the standard JHI hanger with a reinforced top plate to provide a superior level of performance.

Features & Benefits

- The addition of the reinforced top plate keeps the hanger in position eliminating the need for masonry above (unless required for further additional performance)
- Supporting block work only needs to cure for 3 days instead of the standard 28 days for traditional masonry hangers, speeding up the build process
- A major contribution to compliance with air leakage - Part L1 Building Regulations

Material Specification

- Galvanised mild steel - Z600

Fixings

Fixings required into incoming member only. No fixings required into masonry.

Code	Description	Box Qty
547389	3.4 x 35mm Square Twist Nails - LOOSE	500
141185	3.4 x 35mm Square Twist Nails - COLLATED*	2,500

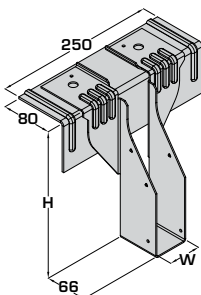
*For use with Paslode PPN35Ci

Available Sizes

Hanger Width (W) (mm)	Hanger Depth (H) (mm)								
	150	175	195	225	240	250	300	350	400
39	RB-JHI-39-150	RB-JHI-39-175	RB-JHI-39-195	RB-JHI-39-225	RB-JHI-39-240	RB-JHI-39-250	RB-JHI-39-300	RB-JHI-39-350	RB-JHI-39-400
46	RB-JHI-46-150	RB-JHI-46-175	RB-JHI-46-195	RB-JHI-46-225	RB-JHI-46-240	RB-JHI-46-250	RB-JHI-46-300	RB-JHI-46-350	RB-JHI-46-400
50	RB-JHI-50-150	RB-JHI-50-175	RB-JHI-50-195	RB-JHI-50-225	RB-JHI-50-240	RB-JHI-50-250	RB-JHI-50-300	RB-JHI-50-350	RB-JHI-50-400
55	-	-	-	RB-JHI-55-225	RB-JHI-55-240	-	RB-JHI-55-300	-	-
61	-	-	RB-JHI-61-195	RB-JHI-61-225	RB-JHI-61-240	-	RB-JHI-61-300	RB-JHI-61-350	RB-JHI-61-400
65	RB-JHI-65-150	RB-JHI-65-175	RB-JHI-65-195	RB-JHI-65-225	RB-JHI-65-240	RB-JHI-65-250	RB-JHI-65-300	RB-JHI-65-350	RB-JHI-65-400
72	-	-	RB-JHI-72-195	RB-JHI-72-225	RB-JHI-72-240	-	RB-JHI-72-300	RB-JHI-72-350	RB-JHI-72-400
75	RB-JHI-75-150	RB-JHI-75-175	RB-JHI-75-195	RB-JHI-75-225	RB-JHI-75-240	RB-JHI-75-250	RB-JHI-75-300	RB-JHI-75-350	RB-JHI-75-400
78	-	-	RB-JHI-78-195	RB-JHI-78-225	RB-JHI-78-240	RB-JHI-78-250	RB-JHI-78-300	RB-JHI-78-350	RB-JHI-78-400
92	RB-JHI-92-150	RB-JHI-92-175	RB-JHI-92-195	RB-JHI-92-225	RB-JHI-92-240	RB-JHI-92-250	RB-JHI-92-300	RB-JHI-92-350	RB-JHI-92-400
100	RB-JHI-100-150	RB-JHI-100-175	RB-JHI-100-195	RB-JHI-100-225	RB-JHI-100-240	RB-JHI-100-250	RB-JHI-100-300	RB-JHI-100-350	RB-JHI-100-400
110	-	-	-	RB-JHI-110-225	RB-JHI-110-240	-	RB-JHI-110-300	-	-
122	-	-	RB-JHI-122-195	RB-JHI-122-225	RB-JHI-122-240	-	RB-JHI-122-300	RB-JHI-122-350	RB-JHI-122-400
125	-	-	RB-JHI-125-195	RB-JHI-125-225	RB-JHI-125-240	RB-JHI-125-250	RB-JHI-125-300	RB-JHI-125-350	RB-JHI-125-400
130	-	-	RB-JHI-130-195	RB-JHI-130-225	RB-JHI-130-240	-	RB-JHI-130-300	RB-JHI-130-350	-
138	-	-	RB-JHI-138-195	RB-JHI-138-225	RB-JHI-138-240	RB-JHI-138-250	RB-JHI-138-300	RB-JHI-138-350	RB-JHI-138-400
144	-	-	RB-JHI-144-195	RB-JHI-144-225	RB-JHI-144-240	-	RB-JHI-144-300	RB-JHI-144-350	RB-JHI-144-400
150	-	-	RB-JHI-150-195	RB-JHI-150-225	RB-JHI-150-240	RB-JHI-150-250	RB-JHI-150-300	RB-JHI-150-350	RB-JHI-150-400
156	-	-	-	RB-JHI-156-225	RB-JHI-156-240	-	-	-	-
183	-	-	RB-JHI-183-195	RB-JHI-183-225	RB-JHI-183-240	-	RB-JHI-183-300	RB-JHI-183-350	RB-JHI-183-400
198	-	-	RB-JHI-198-195	RB-JHI-198-225	RB-JHI-198-240	RB-JHI-198-250	RB-JHI-198-300	RB-JHI-198-350	RB-JHI-198-400
225	-	-	-	RB-JHI-225-225	RB-JHI-225-240	RB-JHI-225-250	RB-JHI-225-300	-	-
250	-	-	-	RB-JHI-250-225	RB-JHI-250-240	RB-JHI-250-250	RB-JHI-250-300	-	-

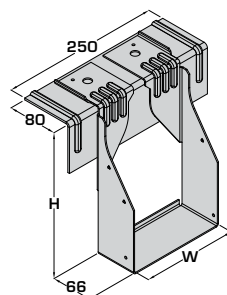
Dimensions (mm)

RB-JHI - 39-138MM WIDE



RB-JHI-W-H
Example: RB-JHI-50-225

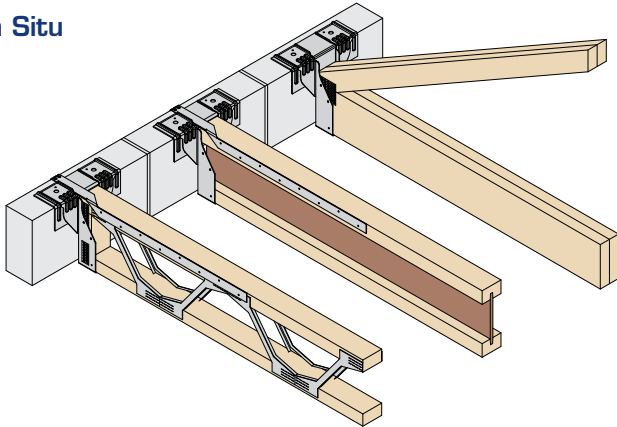
RB-JHI - 144-198MM WIDE



RB-JHI-W-H
Example: RB-JHI-150-225

Rapid Build Masonry Joist Hanger

In Situ



- Suitable for use with Open Web Joists, I-Joists and trusses
- Non return hangers are suitable with no masonry above. Return only required for increased load capacity



- **No masonry** is required above the hanger (unless stated for increased load capacity).
- The masonry supporting the hanger must be cured for **3 days** prior to loading the floor.
- The RB-JHI/RB-JHIR does not provide restraint, therefore restraint straps may be required (see pages 132 - 133)

Load Data

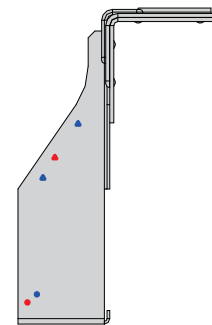
Hanger Type	Masonry Above (Min 675mm)	Fixings (3.4 x 35mm) Incoming	Safe Working Loads (kN)				Characteristic Capacity (kN)			
			Uplift Short Term	Masonry Crushing Strength			Uplift	Masonry Crushing Strength		
				2.8N/mm ²	3.5N/mm ²	7.0N/mm ²		2.8N/mm ²	3.5N/mm ²	7.0N/mm ²
RB-JHI	No	2	n/a	6.98	8.73	11.66	n/a	12.56	15.71	21.26
RB-JHIR	No	2	n/a	8.82	11.03	15.73	n/a	16.00	20.01	28.31
RB-JHI	Yes	2	1.00	10.51	13.14	22.00	2.00	19.83	24.79	39.60
RB-JHIR	Yes	2	1.00	10.51	13.14	22.00	2.00	19.83	24.79	39.60

Enhanced Uplift

- Fixings into the incoming joist/truss are required to resist uplift
- Increased uplift figures can be achieved by nailing the additional triangular nail holes into the incoming member
- Web stiffeners required for I-Joists, 2No end blocks required for Open Web Joists & minimum bottom chord depth/vertical required for trusses

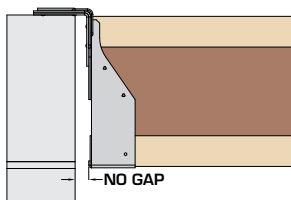
Fixings (3.4 x 35mm) Incoming	Safe Working Loads (kN)			Characteristic Capacity (kN)
	Uplift - Short Term	Uplift - Medium Term	Uplift - Long Term	Uplift
5	2.25	2.14	1.87	4.50

- Requires minimum **3 courses (675mm)** of masonry above to achieve values

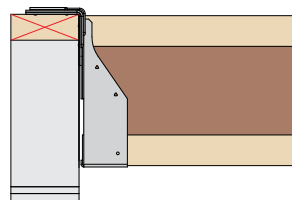


Hanger Depth (mm)	Min Timber Depth (mm)
150	84
175 - 195	122
225 - 240	172
250	195
300	235
350	300
400	350

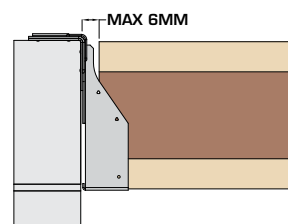
Incorrect Installation



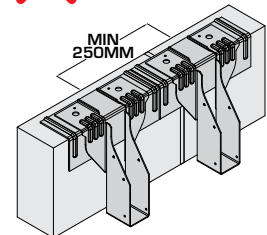
Do not install the hanger with a gap between the hanger and the face of the block work.



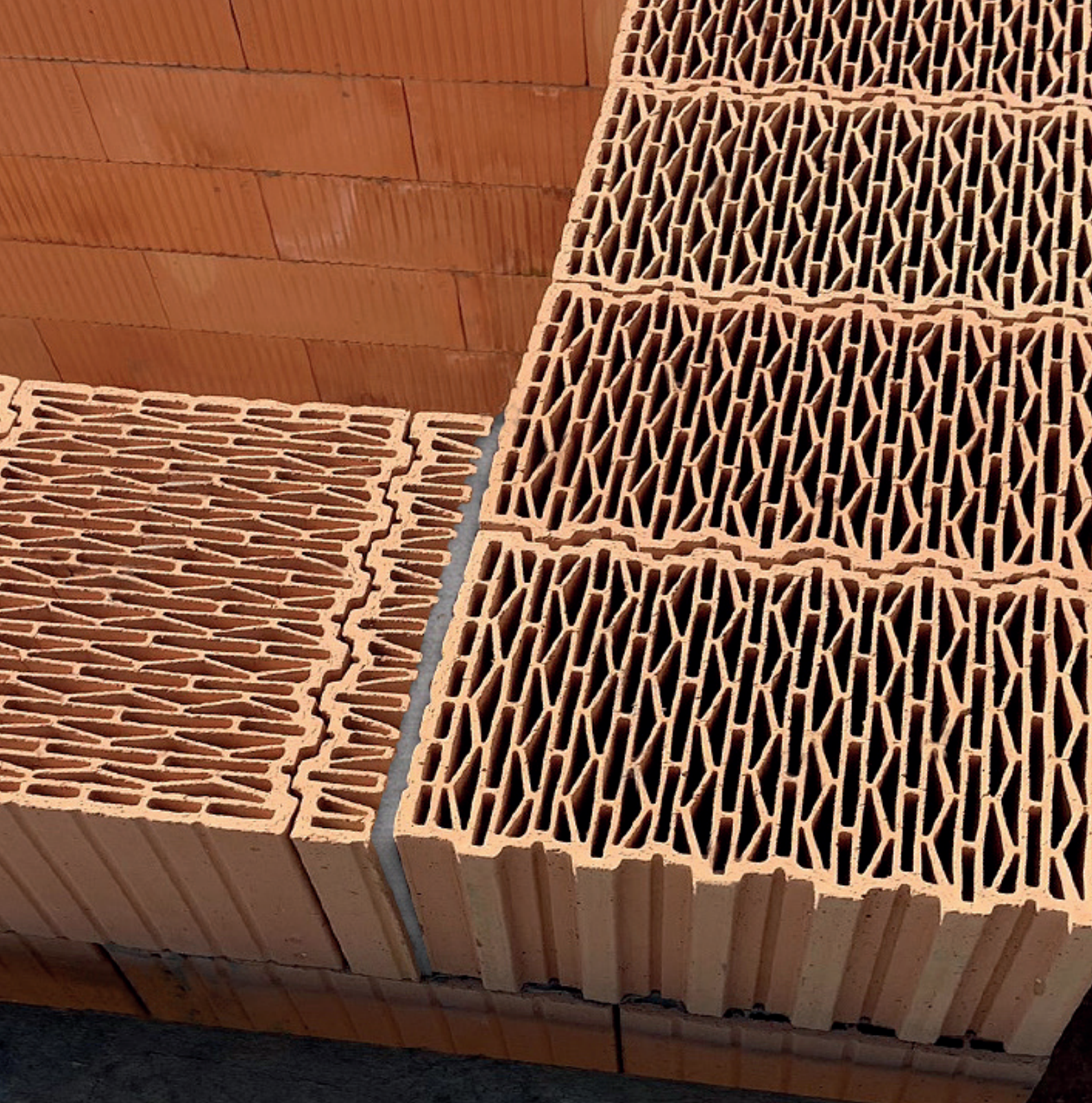
Do not install the hanger onto a timber wall plate.



Do not install the hanger with a gap exceeding 6mm between the joist/truss and the hanger.



Do not cut/modify the top flanges. These are critical to the performance.



**EVOLVED
SMARTWALL™**

JUWO Evolved SmartWall™

T: 0808 2540 500

E: mail@juwo-smartwall.co.uk

www.juwo-smartwall.co.uk